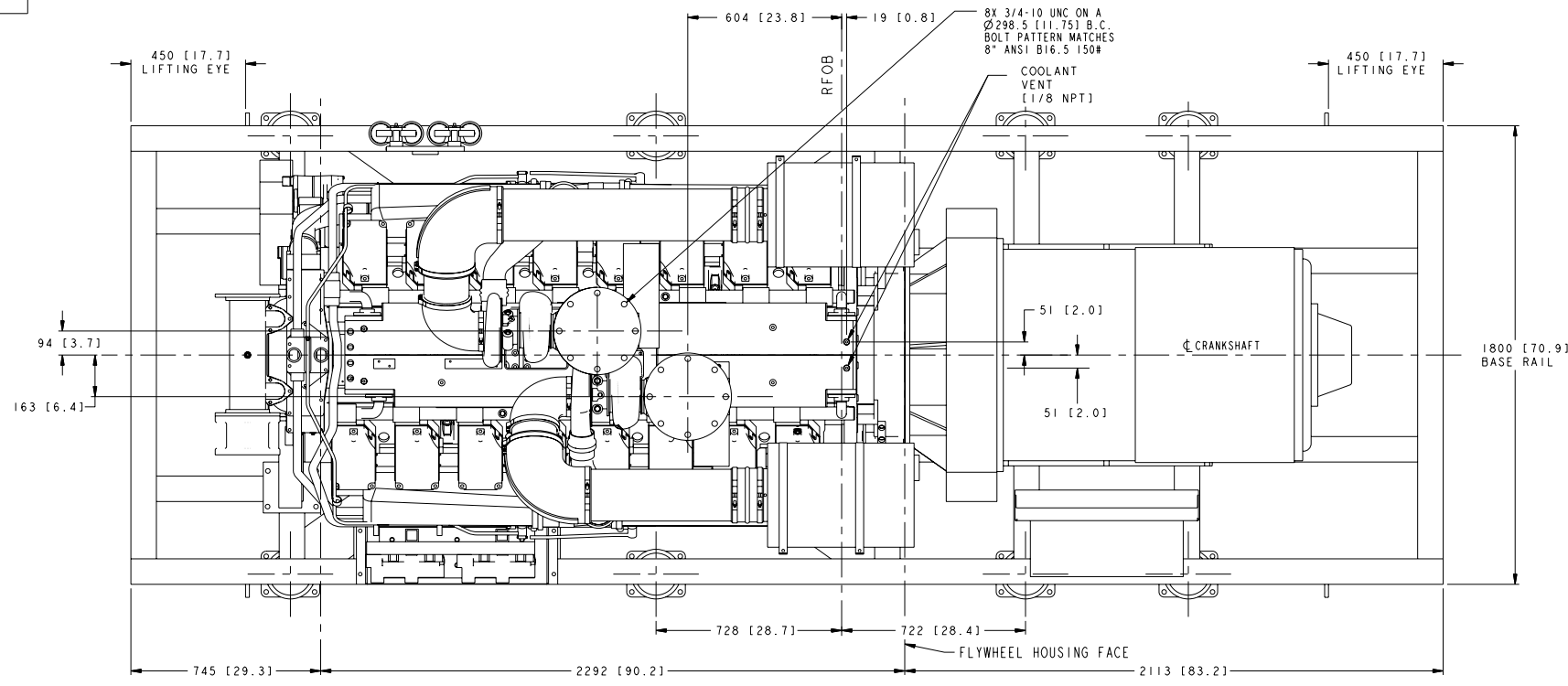
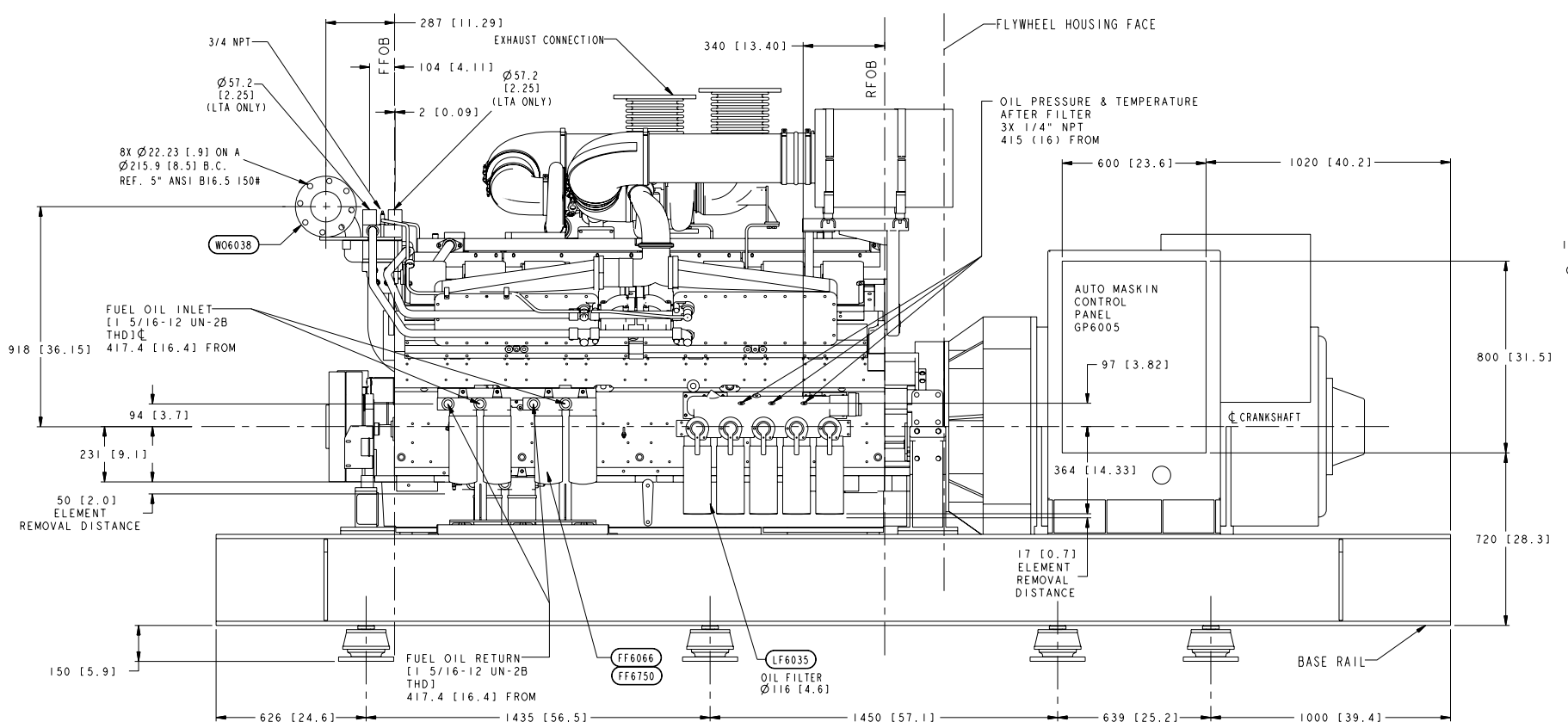


ITEM NUMBER
3170715

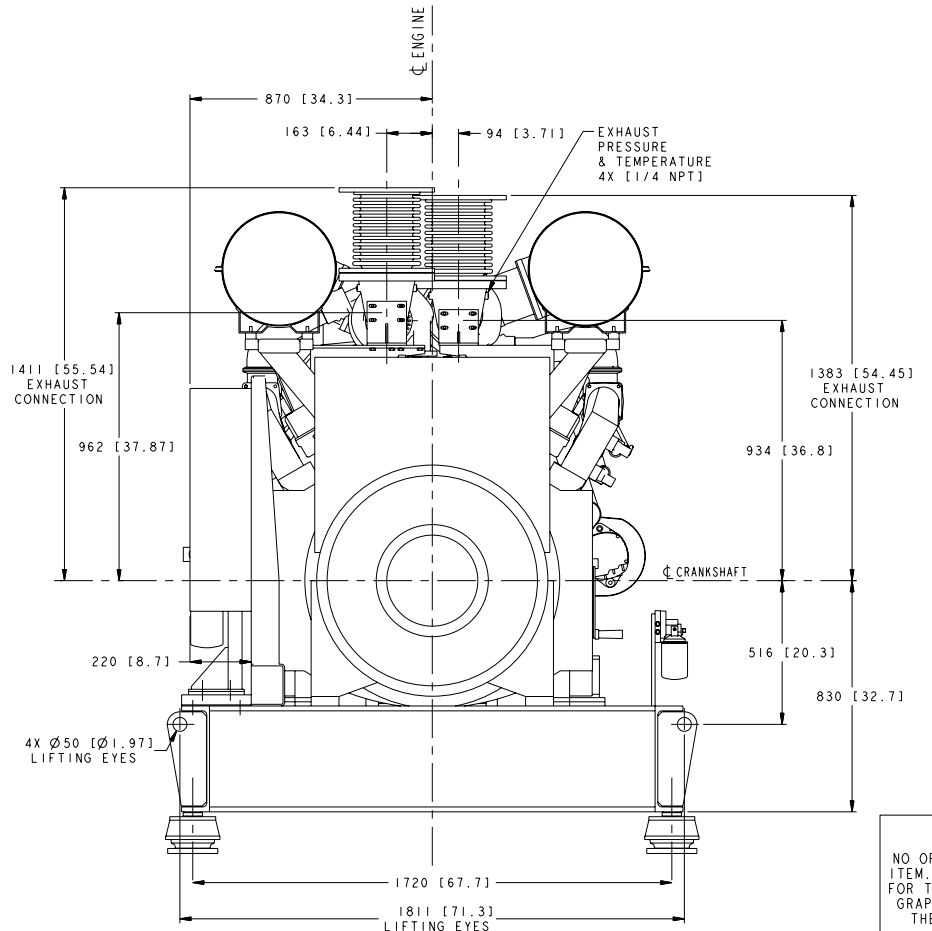
REVISIONS			
ZONE	REV	DESCRIPTION	APP'D
01		K50-CP GENERATOR SET - KC	



TOP VIEW

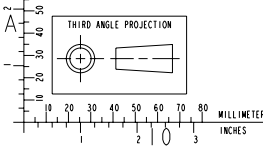


PORT VIEW



REAR VIEW

PRODUCT GRAPHICS FILE
NO ORIGINAL DRAWING EXISTS FOR THIS ITEM. THE ENGINEERING GRAPHICS DATA FOR THIS ITEM RESIDES IN THE PRODUCT GRAPHICS FILE AND IS CONTROLLED BY THE AGENCY DESIGNATED AS HAVING ITEM CONTROL.



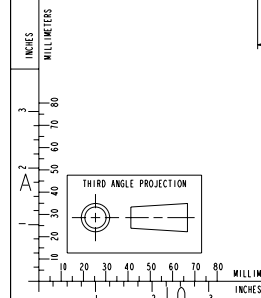
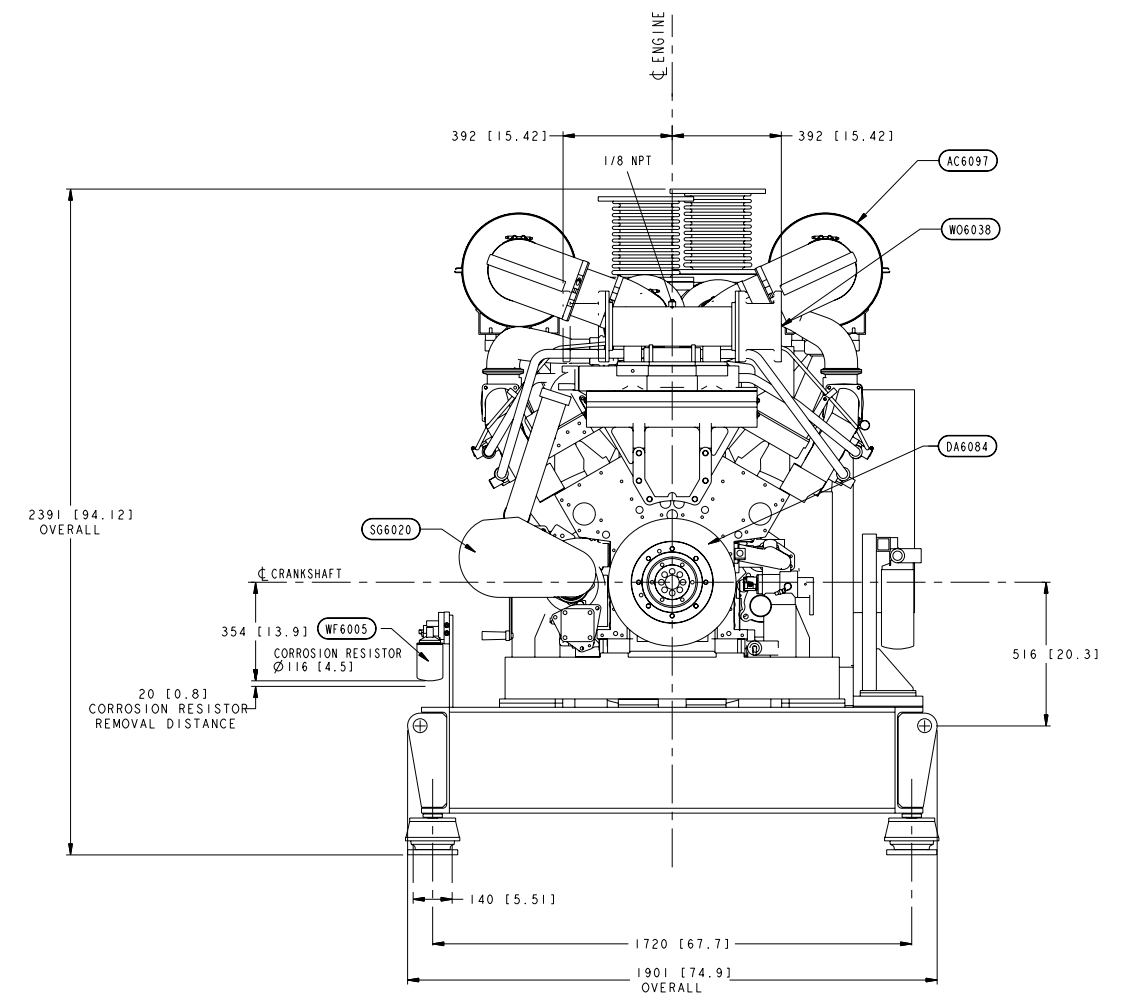
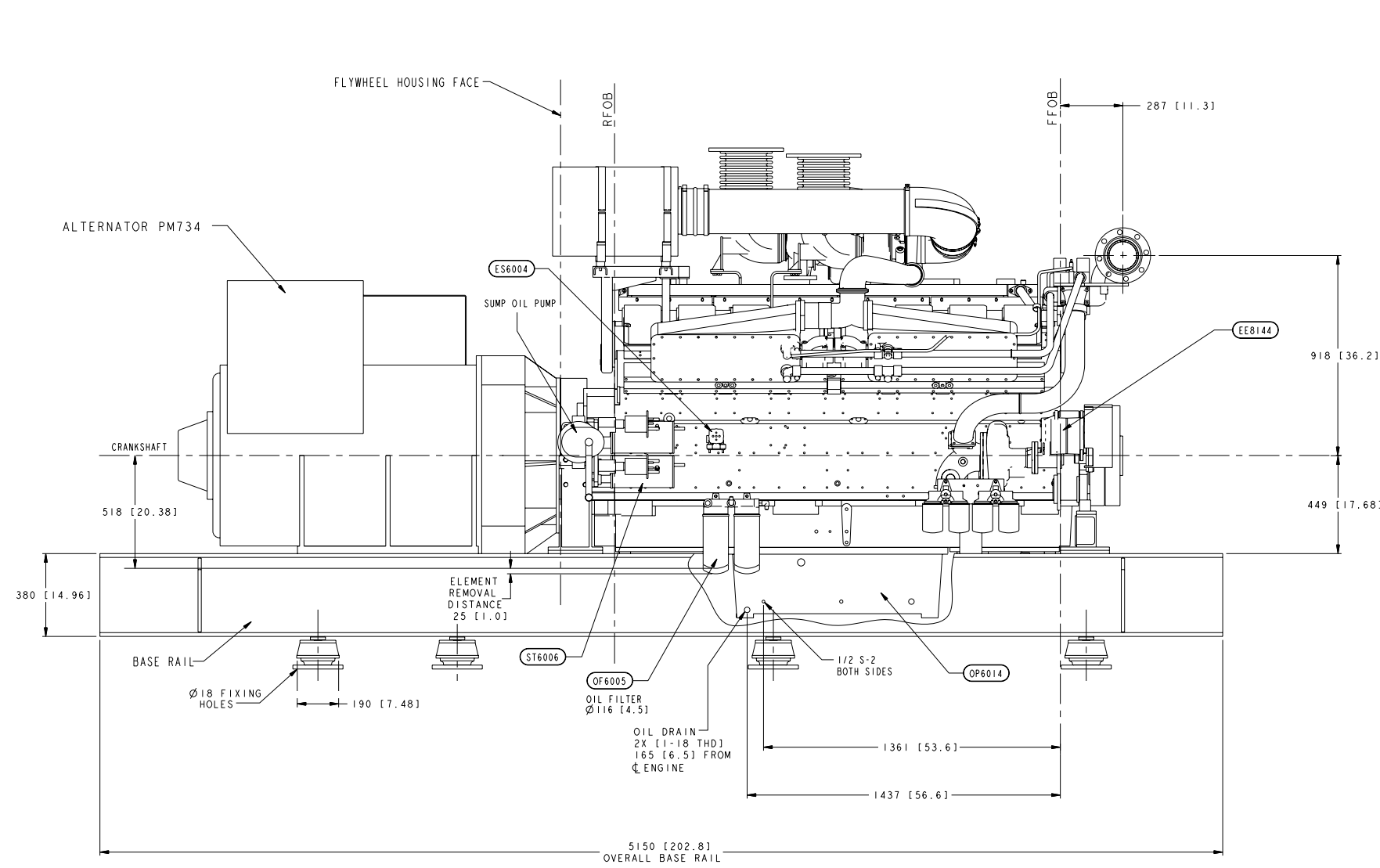
DO NOT SCALE THIS DRAWING

THIS DRAWING/DATA FILE (AND THE INFORMATION SHOWN THEREON) IS CONFIDENTIAL AND PROPRIETARY AND SHALL NOT BE USED, DISCLOSED TO OTHERS, OR REPRODUCED BY ANY MEANS FOR ANY PURPOSE IN HARD COPY FORM OR IN MACHINE READABLE FILES, WITHOUT WRITTEN CONSENT OF CUMMINS INC., MARKETING CAD SERVICES DEPARTMENT.

LAST SECTION LETTER USED: A	REF. DRAWING STANDARDS: ANSI Y14.5M ISO 81101	CUMMINS INC.	
UNLESS OTHERWISE SPECIFIED DIMENSIONS ARE IN: MILLIMETERS () ARE IN: INCHES	ITEM NAME K50-CP GENERATOR SET - KC	IDENTIFIER INSTALLATION DIAGRAM	
DWN: M. DIXON CHD: UNCHECKED APPD:	SCALE: 1:1	SIZE CODE (IDENT. NO.): J	ITEM NUMBER 3170715
		ITEM CONTROL: MCS	SHEET 1 OF 2

ITEM NUMBER
3170715

REVISIONS			
ZONE	REV	DESCRIPTION	APP'D
01		K50-CP GENERATOR SET - KC	



DO NOT SCALE THIS DRAWING

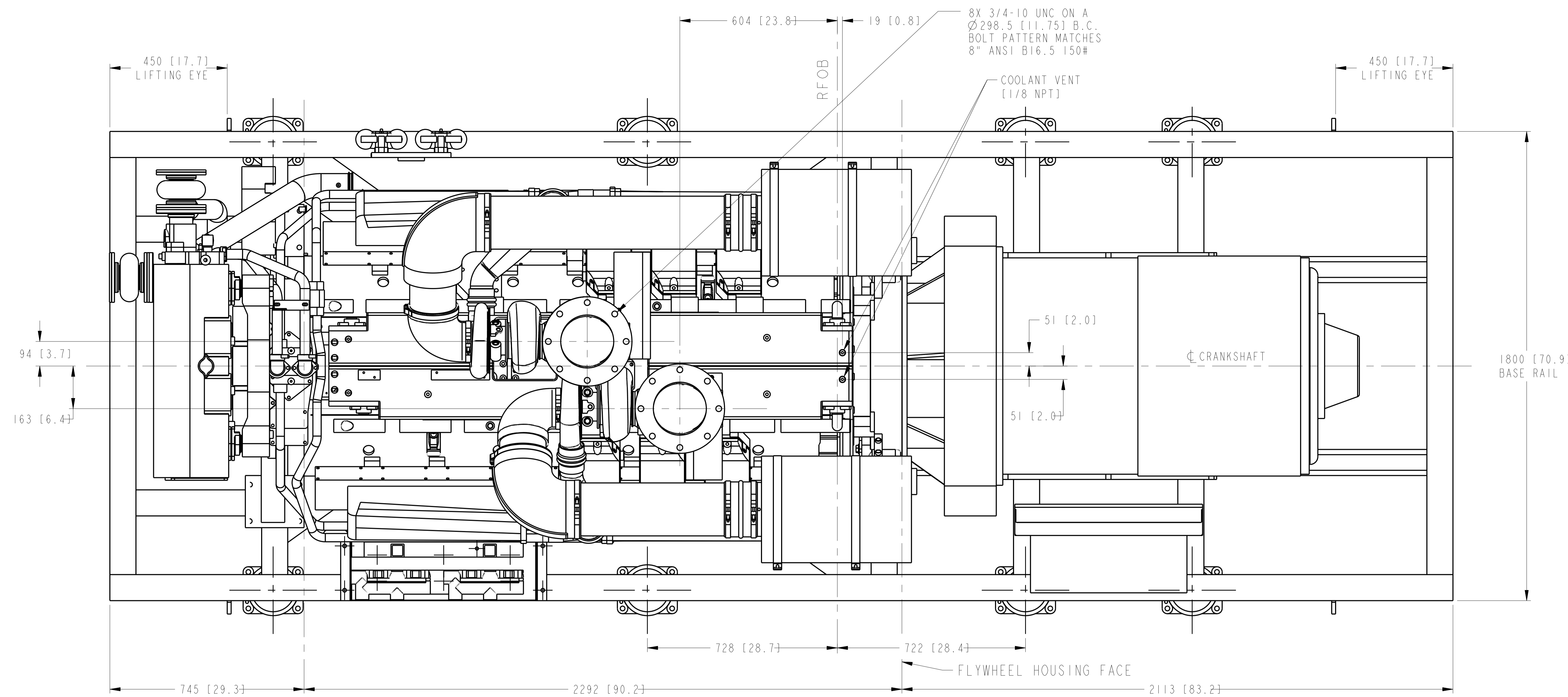
THIS DRAWING/DATA FILE (AND THE INFORMATION SHOWN THEREON) IS CONFIDENTIAL AND PROPRIETARY AND SHALL NOT BE USED, DISCLOSED TO OTHERS, OR REPRODUCED BY ANY MEANS FOR ANY PURPOSE IN HARD COPY FORM OR IN MACHINE READABLE FILES, WITHOUT WRITTEN CONSENT OF CUMMINS INC., MARKETING CAD SERVICES DEPARTMENT.

PRODUCT GRAPHICS FILE
NO ORIGINAL DRAWING EXISTS FOR THIS ITEM. THE ENGINEERING GRAPHICS DATA FOR THIS ITEM RESIDES IN THE PRODUCT GRAPHICS FILE AND IS CONTROLLED BY THE AGENCY DESIGNATED AS HAVING ITEM CONTROL.

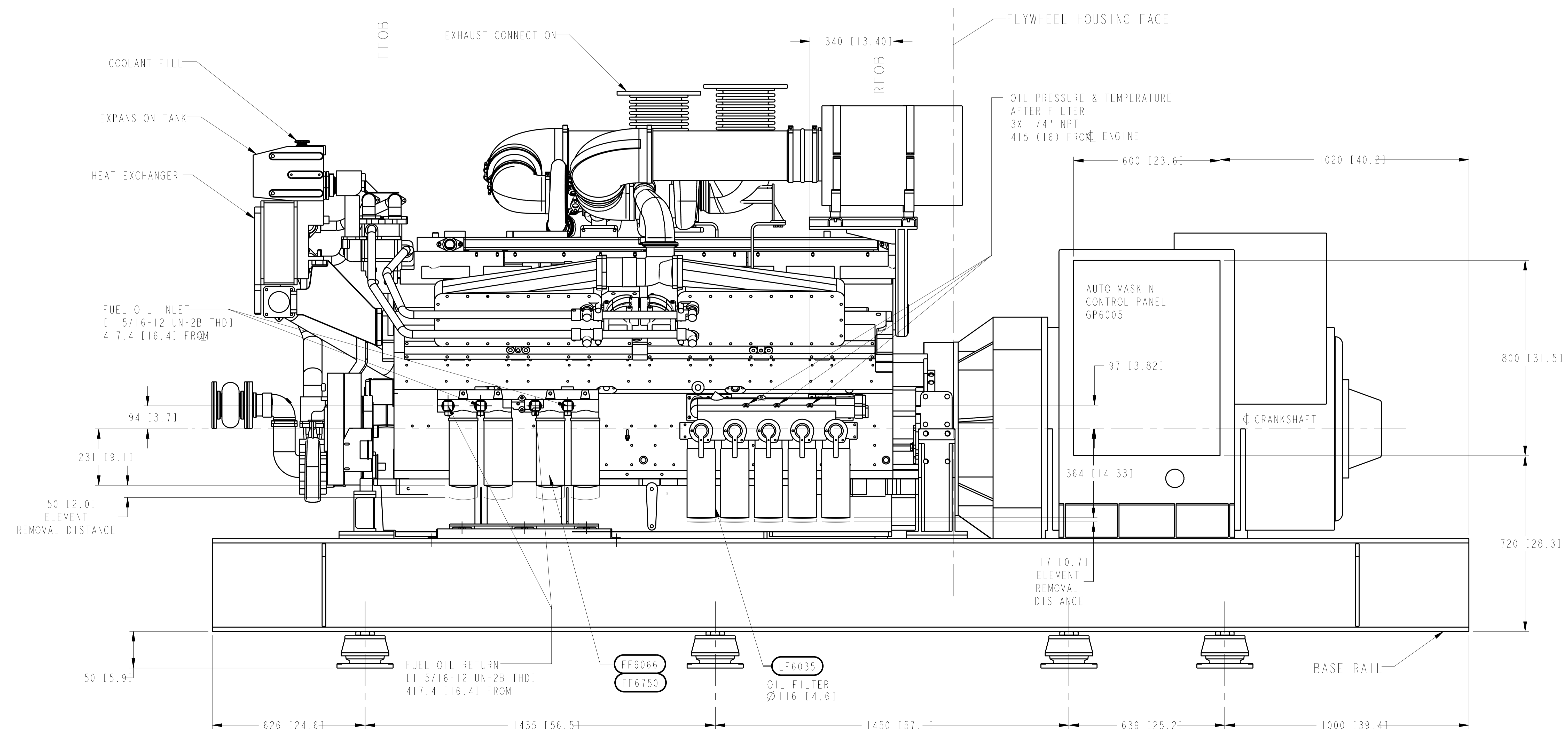
LAST SECTION LETTER USED: A	REF. DRAWING STANDARDS: ANSI Y14.5M ISO 81101	CUMMINS INC.	
UNLESS OTHERWISE SPECIFIED DIMENSIONS ARE IN: MILLIMETERS () ARE IN: INCHES	ITEM NAME K50-CP GENERATOR SET - KC	IDENTIFIER	
DWN M. DIXON	APPD UNCHECKED	SIZE CODE IDENT. NO.	ITEM NUMBER
APPD		J	3170715
	SCALE: 1:1	ITEM CONTROL: MCS	SHEET 2 OF 2

ITEM NUMBER
3170716

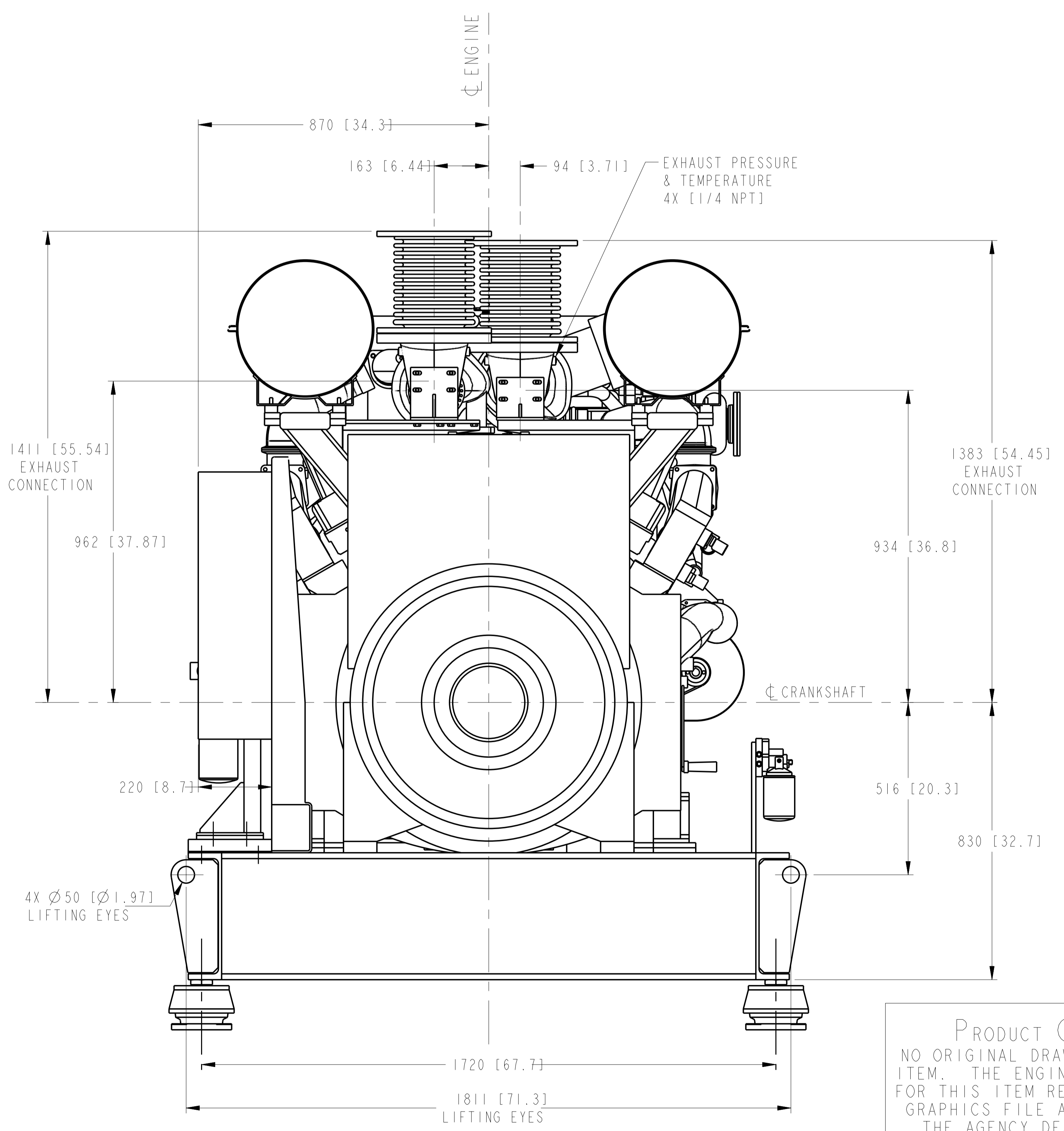
REVISIONS		DWN	APP'D
ZONE	REV	DATE	DESCRIPTION
00	1230	12/14/03	LIGHTHOUSE K50



TOP VIEW

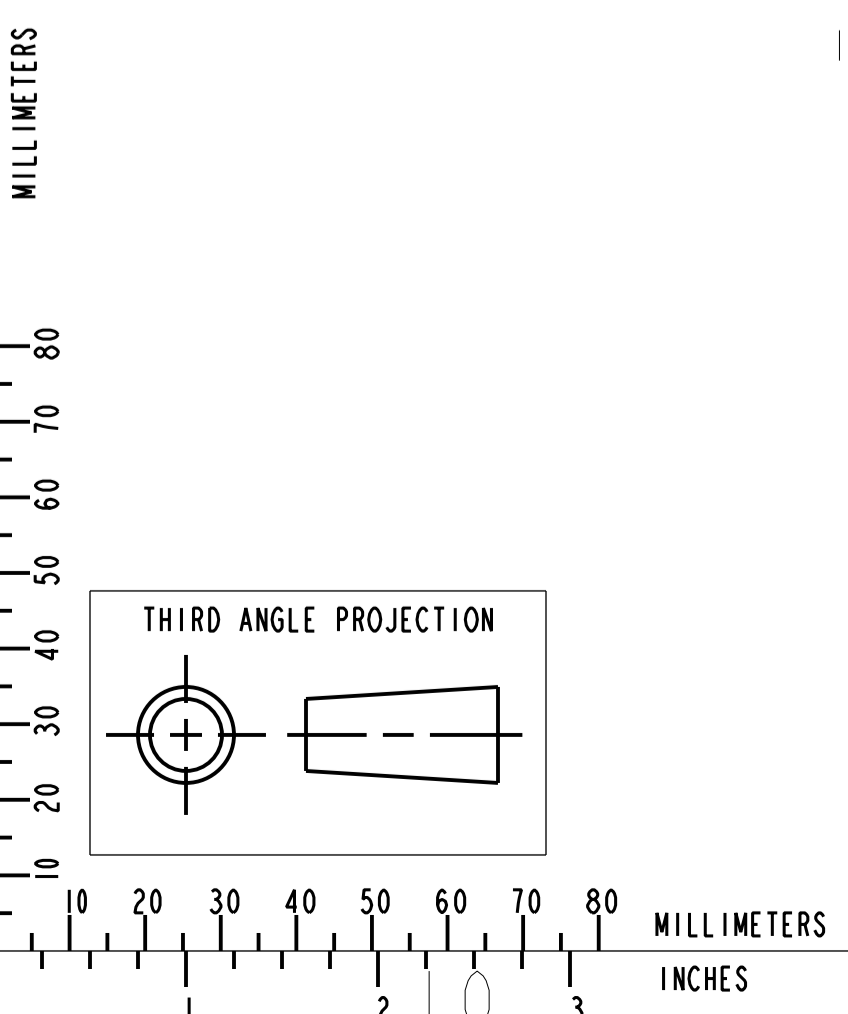


PORT VIEW



REAR VIEW

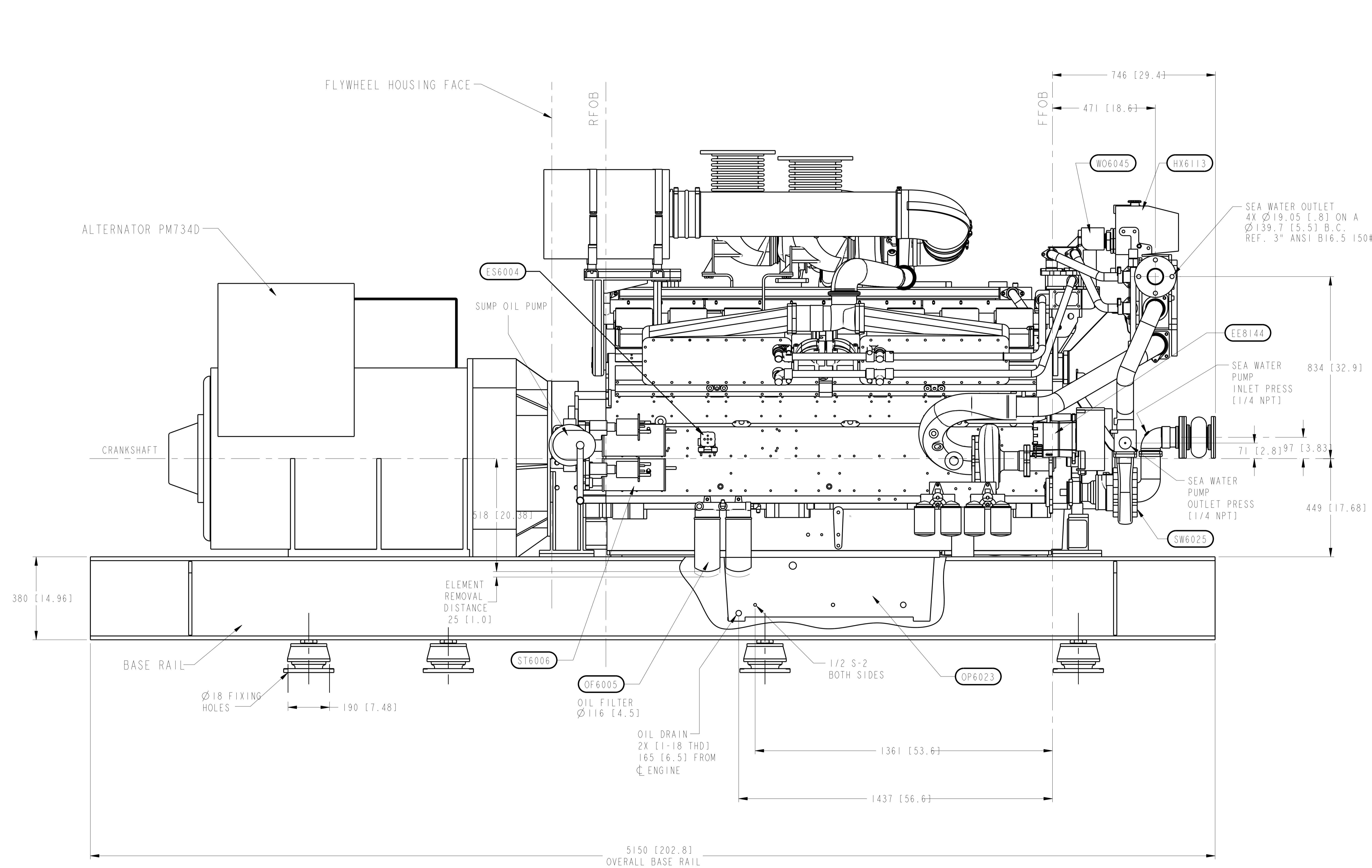
PRODUCT GRAPHICS FILE
NO ORIGINAL DRAWING EXISTS FOR THIS ITEM. THE ENGINEERING GRAPHICS DATA FOR THIS ITEM RESIDES IN THE PRODUCT GRAPHICS FILE AND IS CONTROLLED BY THE AGENCY DESIGNATED AS HAVING ITEM CONTROL.



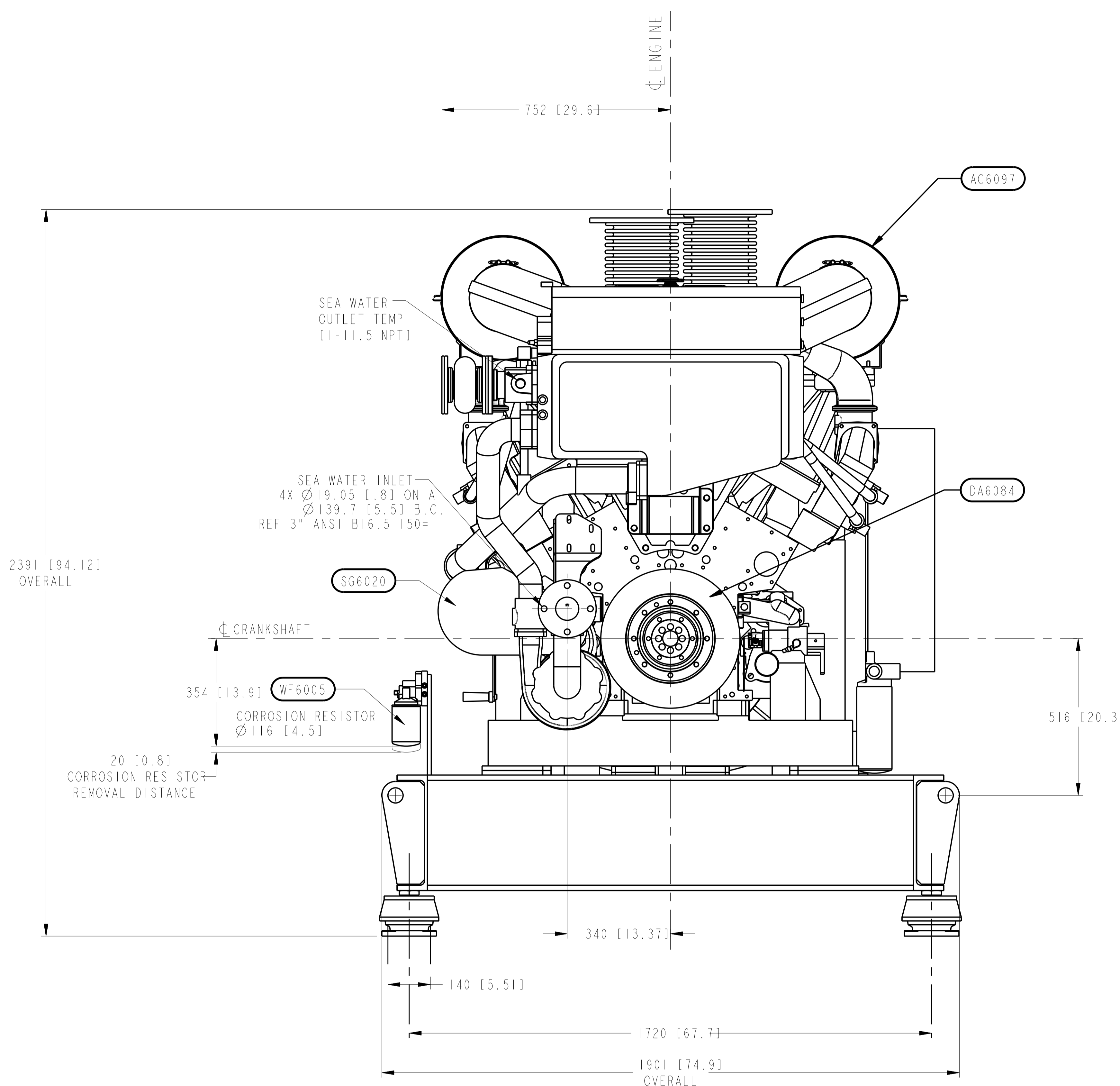
DO NOT SCALE THIS DRAWING

THIS DRAWING/DATA FILE (AND THE INFORMATION SHOWN THEREON) IS CONFIDENTIAL AND PROPRIETARY AND SHALL NOT BE USED, DISCLOSED TO OTHERS, OR REPRODUCED BY ANY MEANS FOR ANY PURPOSE IN HARD COPY FORM OR IN MACHINE READABLE FILES, WITHOUT WRITTEN CONSENT OF CUMMINS INC., MARKETING CAD SERVICES DEPARTMENT.

LAST SECTION LETTER USED: A	REF. DRAWING STANDARDS: ANSI Y14.5M ISO R1101	CUMMINS INC.
UNLESS OTHERWISE SPECIFIED DIMENSIONS ARE IN: MILLIMETERS () ARE IN: INCHES	ITEM NAME 1230 LIGHTHOUSE K50	IDENTIFIER INSTALLATION DIAGRAM
DWN: TWOLF GANG 12/14/03 CND: UNCHECKED APPD: APPD:	SIZE CODE IDENT. NO. ITEM NUMBER J 3170716	SCALE: 1:25 ITEM CONTROL: MCS SHEET 1 OF 2



STARBOARD VIEW



FRONT VIEW

PRODUCT GRAPHICS FILE
NO ORIGINAL DRAWING EXISTS FOR THIS
ITEM. THE ENGINEERING GRAPHICS DATA
FOR THIS ITEM RESIDES IN THE PRODUCT
GRAPHICS FILE AND IS CONTROLLED BY
THE AGENCY DESIGNATED AS HAVING
ITEM CONTROL.

CUMMINS INC.

ITEM NAME
1230 LIGHTHOUSE K50

IDENTIFIER
INSTALLATION DIAGRAM

SIZE CODE IDENT. NO. ITEM NUMBER
J 3170716

SCALE: 1:25 ITEM CONTROL: MCS SHEET 2 OF 2

DO NOT SCALE THIS DRAWING

THIS DRAWING/DATA FILE (AND THE INFORMATION
SHOWN THEREON) IS CONFIDENTIAL AND PROPRIETARY
AND SHALL NOT BE USED, DISCLOSED TO OTHERS,
OR REPRODUCED BY ANY MEANS FOR ANY PURPOSE
IN HARD COPY FORM OR IN MACHINE READABLE FILES,
WITHOUT WRITTEN CONSENT OF CUMMINS INC.,
MARKETING CAD SERVICES DEPARTMENT.

LAST SECTION LETTER USED: A	REF. DRAWING STANDARDS: ANSI Y14.5M ISO R1101
UNLESS OTHERWISE SPECIFIED DIMENSIONS ARE IN: MILLIMETERS IN: INCHES	
DWN: TWOLF GANG 12/14/03	CND: UNCHECKED
APPD:	

